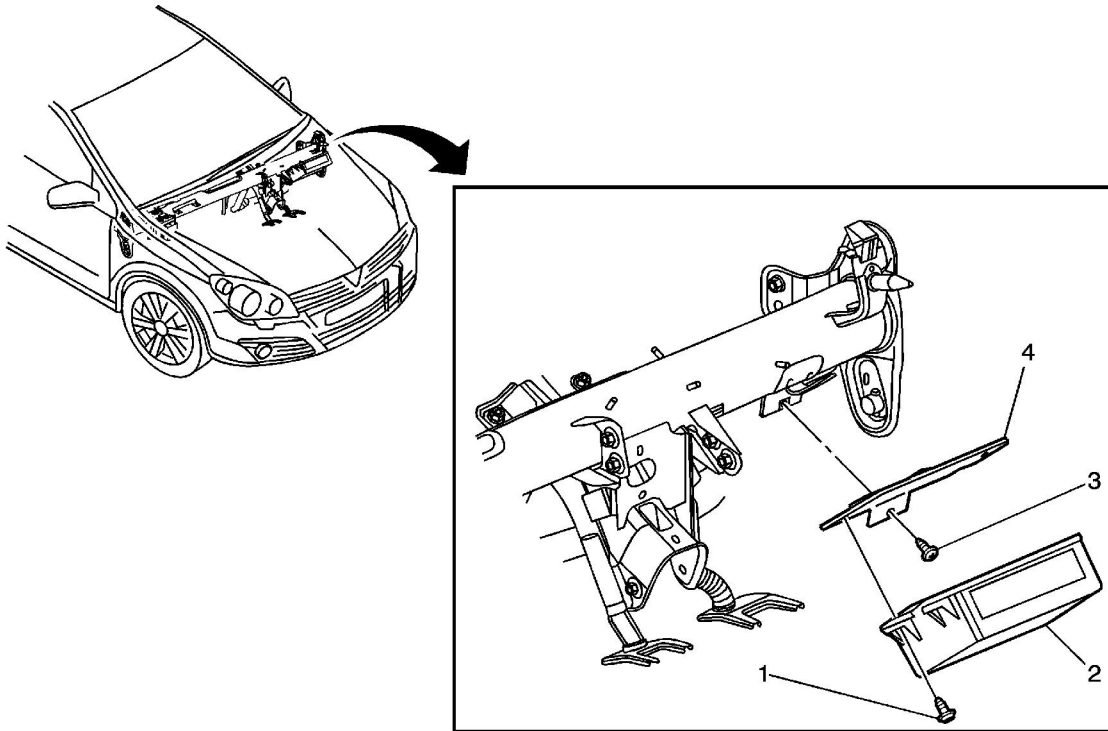


Communication Interface Module Replacement (Left Side)



Callout	Component Name
<p>Preliminary Procedure</p> <p>Remove the driver knee bolster. Refer to Driver Knee Bolster Replacement.</p>	
<p>1</p>	<p>Communication Interface Module Bolt (Qty: 1)</p> <p>Notice: Refer to Fastener Notice in the Preface section.</p> <p>Tighten 4 N·m (35 lb in)</p>
<p>2</p>	<p>Communication Interface Module</p> <p>Procedure</p> <ol style="list-style-type: none"> 1. Disconnect the electrical connections. 2. Refer to Control Module References for programming and set up procedures.
	<p>Communication Interface Module Bolt (Qty: 1)</p>

© 2011 General Motors Corporation. All rights reserved.

3	Notice: Refer to Fastener Notice in the Preface section. Tighten 4 N·m (35 lb in)
4	Mobile Telephone Transceiver